

Basin Tap

Product Features

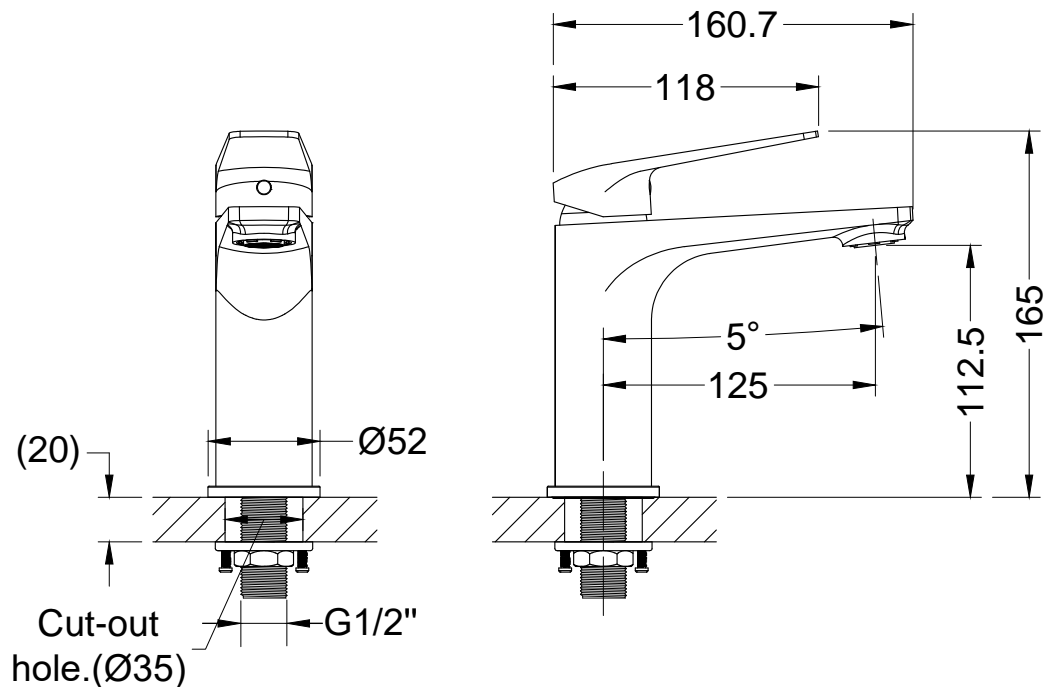
- Soft aerated water flow
- Easy grip wide handle
- High corrosion & tarnish resistant
- Easy maintenance

Product Specification

- Installation type : Deck mounted
- Dimension : 160.7(L) x 52(W) x 165(H)mm
- Material : Brass
- Finishing : Chrome
- Water flow rate : Nominal 2.0 Litres/ min
- Water stream : Aerated



Technical Drawing



()Denotes recommended value.
All dimension are in mm.

Rev	0.1
Date	06.05.2021

DISCLAIMER : While every effort has been made to ensure factual accuracy, the information presented is subject to changes due to requirements in different sites, markets and / or countries. Rigel reserves the right to make the necessary amendments at any time without prior notice.